

# Cornerboards

Cornerboards are designed to be used with all strapping materials. Cornerboards feature a rounded corner which allows easier and more uniform overall strap tension to be applied.

## Benefits:

### Improved Unitizing

- Locates individual components in the stack.
- Provides stacking strength at the corners.
- Increases the effectiveness of strapping and eliminates strap damage.
- Simplifies the location of strapping.

### Better Stowage

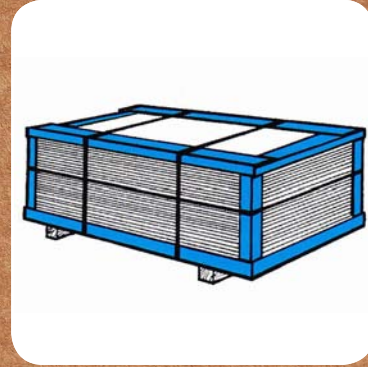
- Units remain uniform and true in their dimensions, minimizing damage during mechanical handling.
- Increased efficiency in containers and confined spaces.

### Reduced Damage

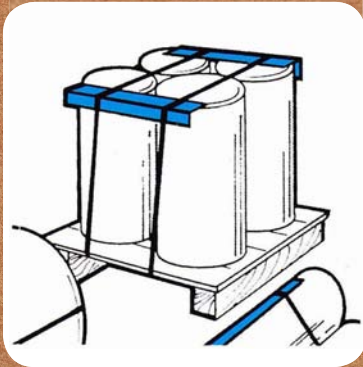
- No strap damage, corner damage or load shifting.

### Customer Satisfaction

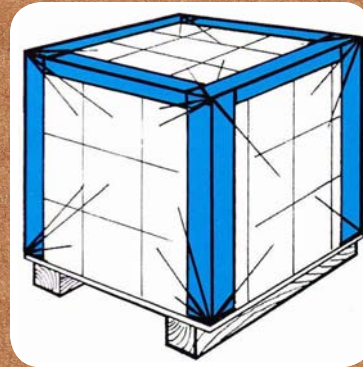
- Excellent product presentation on arrival.
- Minimizes likelihood of claim due to loss or damage.



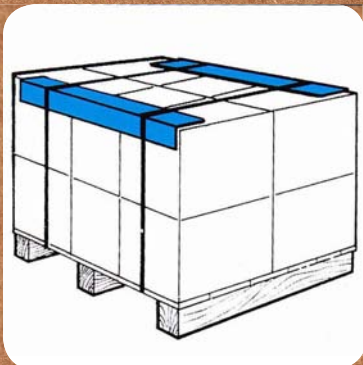
Cornerboards protect panel products from edge corner damage and shifting of the load.



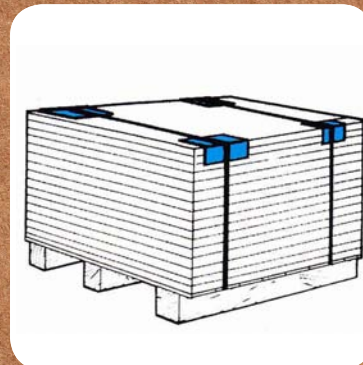
Cornerboards provide effective palletising and packaging for cylindrical products such as paper rolls, coils, drums etc.



Cornerboards unitize light and easily damaged cartoned products, eg potato chips, biscuits etc.



Cornerboards can be used with shrink or stretch film to reduce damage and improve presentation of merchandise such as eggs and wine.



Cornerboards increase the effectiveness of strapping and eliminate strap damage.